



KOMPTECH
AMERICAS

HIGH TORQUE SHREDDERS

TERMINATOR & CRAMBO





TERMINATOR SINGLE SHAFT SHREDDER



Tires



Mattresses & Bulky Waste



Carpet



MSW



Heavy C&D



White Goods

F for a wide range of use

The F drum has two spiral rows of left and right cutting rectangular teeth, 16 per row. The degree of shredding can be set by adjusting the radial cutting gap. Perfect as a pre-shredder for treatment systems. Double-use drum teeth - For municipal waste, bulky waste, commercial waste, waste wood



XXF: for the finest shredding

The XXF drum has 22 F drum teeth. The tooth mountings are arranged in a chevron pattern that moves the material flow to the middle of the drum. This produces an even particle size with a high degree of shredding - For commercial waste, tires, waste wood





CRAMBO DUAL SHAFT SHREDDER



Stumps & Logs



Green Waste



Food Waste



Woody C&D



Palm



Asphalt Shingles



Railroad Ties



Wooden Spools



Hay Bales



Land Clearing



Pallets



Heavy Rigid Plastic

TERMINATOR

The Terminator is a low-speed, high torque, single-shaft shredder for all types of waste. The power plant of the Terminator is a modern Caterpillar engine. The hydraulic drum drive with load dependent speed control, creates maximum shredding force. The drum can reverse at any time to prevent blockages, redistribute material or clean the drum. The continuous cutting gap adjustment allows for the precise setting of the particle size for subsequent processing steps.

HIGHLIGHTS



- » Full access to all maintenance points and the shredding chamber
- » Numerous options for more functionality and ease of use
- » Shredding the most difficult materials such as tires, heavy C&D, mattresses and carpeting
- » U.S. designed high clearance chassis protects the belt and prevents blockages

01

Folding hopper for large loading area

02

Drum with spiral tooth arrangement

03

Powerful Caterpillar® diesel engine with latest emission controls

04

Adjustable counter comb

05

Hydraulically extended overbelt magnet





Engine

- » CAT engine up to 600 HP Tier 4 Final emission standard
- » Powerful cooling system for engine and hydraulics
- » Easy access to all maintenance points



Hydraulics

- » Load-dependent speed control
- » Starting and reversing even under load
- » Variable speed, variable torque system



Operator console

- » User friendly operating console
- » Monitoring by on-board computer
- » Reversing program adapts to material and allows for self-cleaning of the drum



Loading/discharge

- » Wide discharge channel with excellent access to the discharge conveyor
- » Folding hopper for easy material feed
- » Infinitely adjustable discharge conveyor inclination



Adjustable counter comb

- » Easy adjustment of output particle size
- » Excellent access to the shredding chamber
- » Various tooth configurations

CRAMBO

The Crambo is a low speed, high torque, dual shaft shredder for all types of waste. The dual shaft provides an aggressive feed while minimizing fines. The Crambo is powered by the latest Caterpillar engine. The output size is determined by simply exchanging screen baskets. The variable speed/ variable torque hydraulic drum drive system, ensures the Crambo runs at maximum efficiency.

HIGHLIGHTS

- » High throughput on a wide range of materials
- » Aggressive feed with long, counter-rotating shredding drums
- » Variable particle sizes through simple screen basket change
- » Resistant to contaminants
- » Minimal noise and dust emissions
- » Low operating costs

01

Remote control hopper
with 11' feed opening

02

Heavy duty
shredding drums with
134 aggressive teeth

03

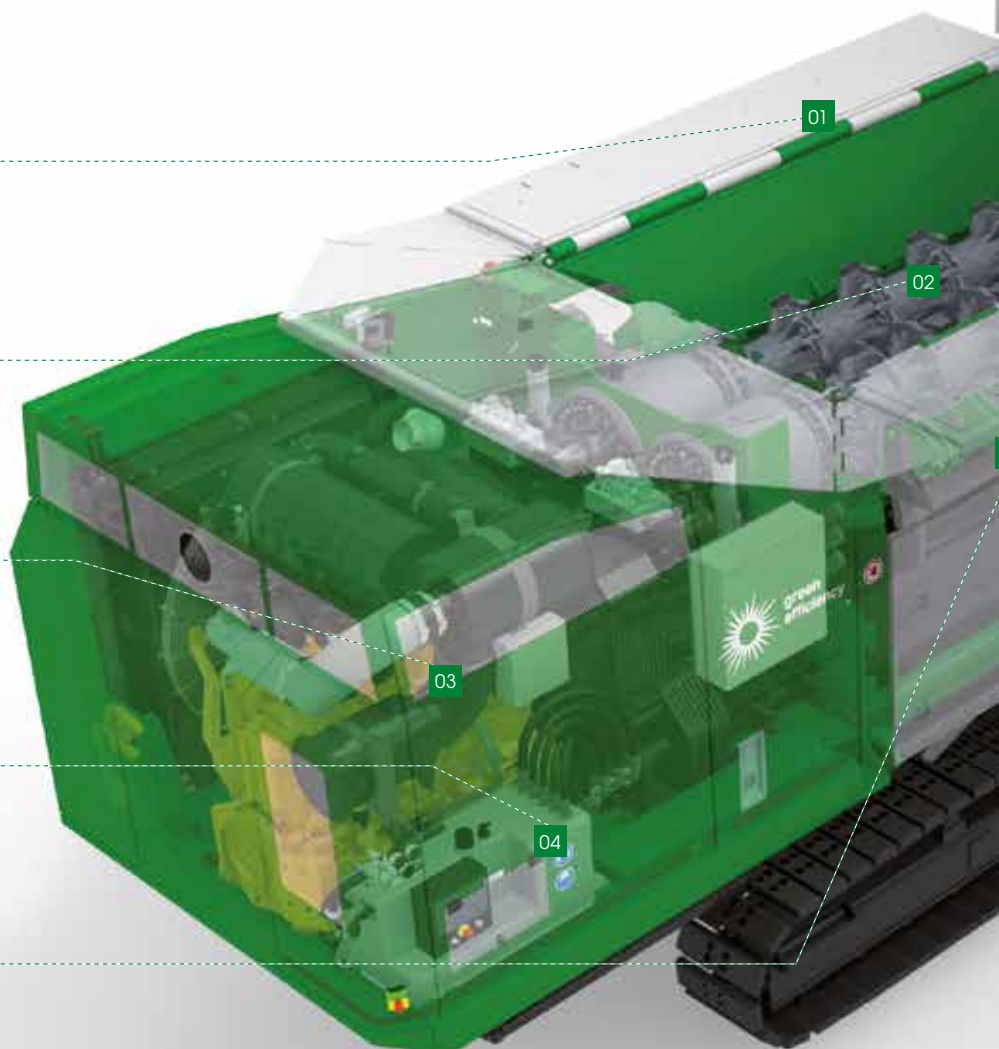
CAT® diesel engine
with latest emission controls

04

Full color display with remote
link to factory for service

05

Quick change screen baskets
for product output sizes
between 2"-24"





Material feed

- » Simple tooth change with one bolt securely mounted
- » Remote controlled hopper
- » Largest shredding unit in the industry with dual 9'3" long shafts



Drive system

- » Modern CAT engine up to 600 HP Tier 4 Final emission standard



Operation

- » Setup in minutes
- » Large color display with user friendly menu
- » Ideal placement of controls for safe operation
- » Multiple languages pre-programmed
- » Simple 16 channel remote



Maintenance access

- » Engine compartment with large doors and foldable platforms
- » All maintenance points are externally accessible (fuel, oil, filters etc.)
- » Excellent access to the shredding chamber through side service doors



Options

- » Particle size adjustment: Change screen baskets for 2" - 24" particle size
- » Adjustable overbelt-magnet or magnetic head pulley

TERMINATOR

SINGLE SHAFT SHREDDER



TERMINATOR	3400 S	5000 S	6000 S
Engine			
Diesel engine:	CAT® C9	CAT® C13	CAT® C18
Power (kW / HP):	242 / 330	328 / 446	429 / 583
	Drum drive on both sides	Drum drive on both sides	Drum drive on both sides
Shredding unit			
Drum rpm:	max 29	max 32	max 38
Drum length:	9' 10" / 3000 mm		
Drum diameter:	3' 5" / 1050 mm		
Loading heights			
Loading heights:	Track: 9' 6" / 2906 mm Trailer: 9' 7" / 3005 mm Hook: 8' 1" / 2596 mm		
Discharge heights (10°-35°):	Track: 5' 8" - 13' 9" / 1725 - 4190 mm Trailer: 6' 2" - 13' 6" / 1919 - 4250 mm Hook: 4' 6" - 12' / 1388 - 3710 mm		
Dimensions L x W x H transport and working positions (Conveyor belt 35°)			
Track transport:	25' 8" x 9' 4" x 11' 10" / 7834 x 2855 x 3617 mm		
Track working:	38' 5" x 11' 0" x 12' 8" / 11711 x 3348 x 3858 mm		
Trailer transport:	31' 11" x 8' 2" x 11' 0" / 9732 x 2550 x 3360 mm		
Trailer working:	40' 9" x 11' 0" x 12' 3" / 13553 x 3327 x 3734 mm		
Hook transport:	25' 11" x 8' 1" x 9' 6" / 7900 x 2490 x 2905 mm		
Hook working:	38' 11" x 11' 0" x 10' 11" / 12361 x 3327 x 3325 mm		
Weight (dependent on equipment) lbs			
Track:	59,200	59,600	60,800
Trailer:	54,400	54,800	56,200
Hook:	48,200	48,600	49,800
Throughput (dependent on material)			
Performance:	up to 50 t.sh/h up to 45 t/h	up to 80 t.sh/h up to 71 t/h	up to 110 t.sh/h up to 100 t/h
Options			
Armored drum teeth, forward movement device (Hook, Trailer), towing unit (Hook), remote control, central lubrication, over-belt magnet with swinging arm, magnetic pulley etc.			

CRAMBO

DUAL SHAFT SHREDDER



CRAMBO	3400	5000	6000
Engine			
Diesel engine:	CAT® C9	CAT® C13	CAT® C18
Power (kW / HP):	242 / 330	328 / 446	429 / 583
Power electrical motor (kW):	1 x 185	1 x 230	1 x 315
Shredding unit			
Drum drive:	hydraulic		
Drum rpm:	max 38	max 36	max 41
Drum length:	9' 3" / 2820 mm		
Drum diameter:	2' / 610 mm		
Loading heights			
Loading heights:	Track: 9' 6" / 2906 mm Trailer: 9' 7" / 3005 mm Hook: 8' 1" / 2596 mm		
Discharge heights (10°-35°):	Track: 5' 11" - 13' 6" / 1830 - 4150 mm Trailer: 6' 2" - 13' 6" / 1920 - 4250 mm Hook: 4' 6" - 12' / 1390 - 3710 mm		
Dimensions L x W x H transport and working positions (Conveyor belt 35°)			
Track transport:	25' x 9' 4" x 11' 2" / 7550 x 2855 x 3407 mm		
Track working:	35' 9" x 11' 0" x 13' 7" / 11370 x 3327 x 4150 mm		
Trailer transport:	26' 8" x 8' 2" x 11' 6" / 9120 x 2550 x 3506 mm		
Trailer working:	40' 9" x 11' 0" x 14' 0" / 13553 x 3327 x 4250 mm		
Hook transport:	22' 5" x 8' 1" x 9' 6" / 7289 x 2492 x 2905 mm		
Hook working:	38' 11" x 11' 0" x 12' 6" / 12361 x 3327 x 3710 mm		
Weight (dependent on equipment) lbs			
Track:	54,000	56,000	58,000
Trailer:	47,000	50,000	52,000
Hook:	42,000	45,000	47,000
Throughput (dependent on material)			
Performance:	up to 50 t.sh/h up to 45 t/h	up to 80 t.sh/h up to 71 t/h	up to 110 t.sh/h up to 100 t/h
Options			
Engines emission level Tier 3a and 4f/EU stage III and IV, drum armored, hook-shaped teeth, planing teeth, bio cutting unit, screen baskets 2"-24", radio remote control, central lubrication, over-belt magnet with swinging arm, magnetic pulley etc.			

10855 DOVER STREET, STE. 1000
WESTMINSTER, COLORADO 80021

[t] +1 (720) 890-9090
[f] +1 (720) 890-5907
[e] info@komptechamericas.com
[w] www.komptechamericas.com

We reserve the right to make technical changes due to ongoing development. USA2017

