



**KOMPTECH**  
AMERICAS

# TOPTURN X SERIES

WINDROW TURNER





## HIGHLIGHTS



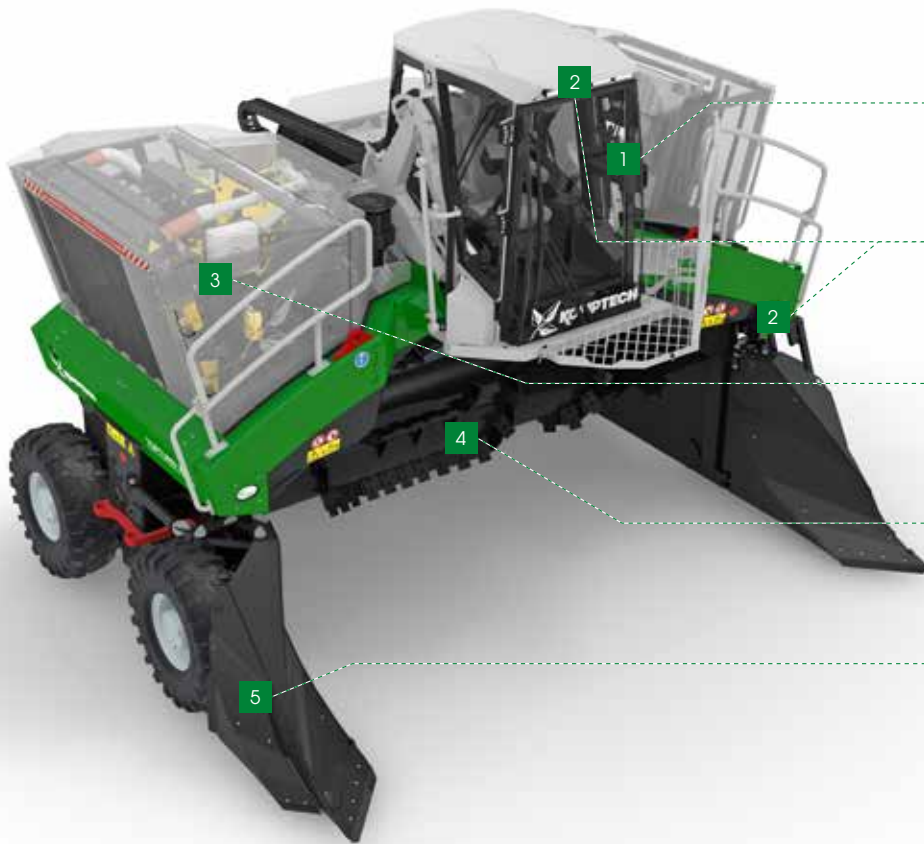
- » Large-dimensioned turning drum for high throughput and complete mixing
- » Wide application area: Composting of MSW, green waste, biowaste, sewage sludge, treatment of contaminated soils, mixing of ores
- » Complete mixing of row, inside to out
- » Turns pile without shredding plastic further
- » Low operating costs with reversible wear parts
- » Track or wheel chassis



# TOPTURN X

The Topturn is one of the most widely used compost turners in the world. With the X series we are further extending our position. Inspired by customer feedback, this third generation of the Topturn offers top performance with complete comfort and convenience. An even sturdier telescopic frame, high performance hydraulics and generously dimensioned turning drum mean high throughput in all working scenarios.

All engines meet the latest emissions standards (Tier 4 Final), and the new cooling system keeps everything cool even under heavy loads and high outside temperatures. Further plus points are the larger, more comfortable cabin, automatic drive for relaxed working, and the hydraulically extendable maintenance platforms for fast, easy maintenance.



- 1 Pressurized cabin for operator safety
- 2 High intensity LED lights for night use
- 3 Diesel engine with newest emission stage (Tier 4 Final)
- 4 Scraper bar for odor reduction
- 5 Robust plow blades for overlapping windrows



**Perfect Windrow**



**Infusion of Water**



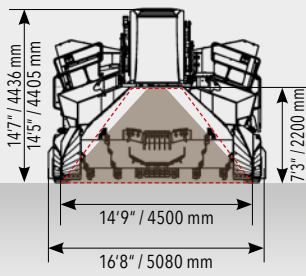
**Maintenance Made Easy**

The Topturn drum is specifically designed to provide the optimum amount of porosity and pile structure to increase temperatures and reduce composting times. This chimney effect also reduces odors while producing better quality compost. With over 25 years of research and development, the Komptech Topturn properly turns the windrow from inside to out, while mixing and blending, leaving the perfect windrow behind.

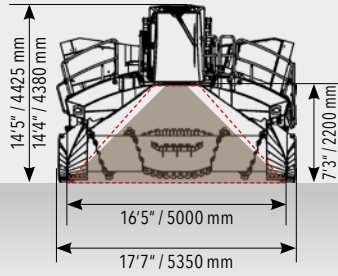
Infusing water into the center of the compost pile, not only reduces water consumption, but puts the water directly where the active composting process is happening. Every Komptech Topturn comes pre-plumbed for the watering device. An optional hose reel is available.

A press of a button turns the left and right body panels into roomy maintenance platforms with convenient access steps so the operator can reach all maintenance points safely and easily. The drum plates are reversible for double wear life.

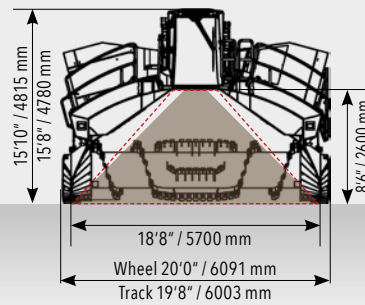
### Topturn X4500



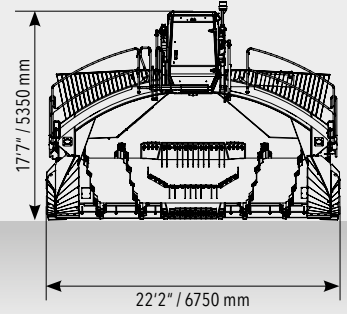
### Topturn X55



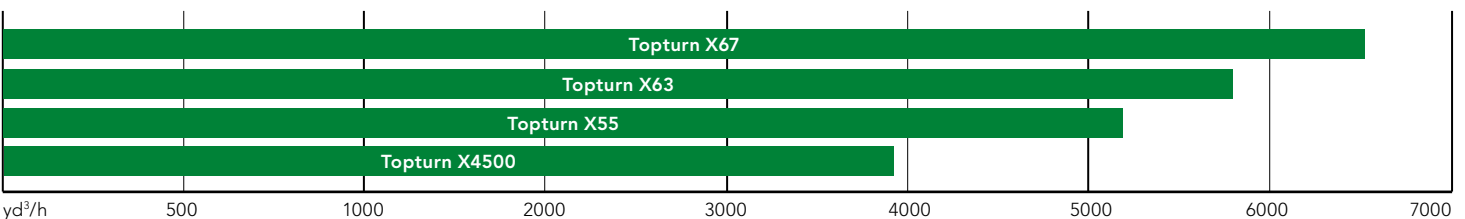
### Topturn X63



### Topturn X67



	TOPTURN X4500	TOPTURN X55	TOPTURN X63	TOPTURN X67
<b>Drive</b>				
Diesel engine: (standard configuration other sizes available)	CAT® C7.1 Tier 4 Final/Stage IV or Tier 3/Stage IIIA	CAT® C9 Tier 4 Final/Stage IV or Tier 3/Stage IIIA	CAT® C13 Tier 4 Final/Stage IV or Tier 3/Stage IIIA	CAT® C13 Tier 3/Stage IIIA
Power (HP):	205 (only Tier 4 F)	330	390	446
<b>Turning device</b>				
Drum diameter:	3'11" / 1200 mm	3'11" / 1200 mm	4'7" / 1400 mm	5'9" / 1750 mm
Drum rpm:	0-195	0-195	0-195	0-160
<b>Windrow dimensions</b>				
Max. windrow width:	14'9" 4500 mm	16'5" 5000 mm	18'8" 5700 mm	21'0" 6400 mm
Max. windrow height:	7'3" / 2200 mm	7'3" / 2200 mm	8'6" / 2600 mm	9'6" / 2900 mm
Max. tunnel height (extendable):	8'6" / 2580 mm	8'6" / 2580 mm	9'9" / 2980 mm	10'9" / 3280 mm
Max. windrow cross-section:	up to 55 ft <sup>2</sup> / 5.1 m <sup>2</sup>	up to 67 ft <sup>2</sup> / up to 6.2 m <sup>2</sup>	up to 87 ft <sup>2</sup> / up to 8.1 m <sup>2</sup>	up to 110 ft <sup>2</sup> / up to 10.2 m <sup>2</sup>
<b>Traveling speeds (I standard, II optional fast drive)</b>				
Wheel:	I: 0-2.5 II: 0-3.7 mph I: 0-4 II: 0-6 km/h	I: 0-2.5 II: 0-3.7 mph I: 0-4 II: 0-6 km/h	I: 0-2.5 II: 0-3.7 mph I: 0-4 II: 0-6 km/h	- -
Track:	I: 0-2.5 mph / I: 0-4 km/h	I: 0-2.5 mph / I: 0-4 km/h	I: 0-2.5 mph / I: 0-4 km/h	I: 0-2.5 mph / I: 0-4 km/h
<b>Dimensions L x W x H</b>				
Transport dimensions Wheel:	16'2" x 9'10" x 10'11" 4917 x 2996 x 3324 mm	17'11" x 9'10" x 10'9" 5457 x 2996 x 3284 mm	20'2" x 9'10" x 11'11" 6155 x 2996 x 3635 mm	- -
Transport dimensions Track:	16'2" x 8'4" x 10'10" 4917 x 2550 x 3293 mm	17'11" x 8'4" x 10'8" 5457 x 2550 x 3253 mm	20'2" x 8'4" x 11'10" 6155 x 2548 x 3607 mm	22'2" x 9'10" x 11'8" 6580 x 3000 x 3560 mm
Working dimensions Wheel: (telescope)	14'9" x 16'8" x 13'4" (+1'3") 4484 x 5080 x 4056 mm (+380)	14'1" x 17'7" x 13'2" (+1'3") 4300 x 5350 x 4025 mm (+380)	14'1" x 20'0" x 14'7" (+1'3") 4303 x 6091 x 4435 mm (+380)	- -
Working dimensions Track: (telescope)	13'6" x 16'8" x 13'2" (+1'3") 4126 x 5080 x 4025 mm (+380)	13'1" x 17'7" x 13'1" (+1'3") 3980 x 5350 x 4000 mm (+380)	13'0" x 19'8" x 14'5" (+1'3") 3973 x 6003 x 4400 mm (+380)	15'6" x 22'2" x 16'4" (+1'3") 4720 x 6750 x 4970 mm (+380)
<b>Weight (dependent on options)</b>				
Wheel:	~ 31,800 pounds / 14.5 t	~ 35,200 pounds / 16 t	~ 39,700 pounds / 18 t	-
Track:	~ 33,000 pounds / 15 t	~ 36,400 pounds / 16.5 t	~ 41,200 pounds / 18.5 t	~ 47,000 pounds / 21.3 t
<b>Throughput (dependent on material)</b>				
Throughput performance:	up to 3900 yd <sup>3</sup> /h up to 3000 m <sup>3</sup> /h	up to 5200 yd <sup>3</sup> /h up to 4000 m <sup>3</sup> /h	up to 5800 yd <sup>3</sup> /h up to 4500 m <sup>3</sup> /h	up to 6540 yd <sup>3</sup> /h up to 5000 m <sup>3</sup> /h
<b>Options</b>				
Mixing drum, fast drive, lateral displacement device, scraper, bar protective ventilation, watering device etc.				



10855 DOVER STREET, STE. 1000  
WESTMINSTER, COLORADO 80021

[t] +1 (720) 890-9090  
[f] +1 (720) 890-5907  
[e] info@komptechamericas.com  
[w] www.komptechamericas.com



**KOMPTech**  
AMERICAS