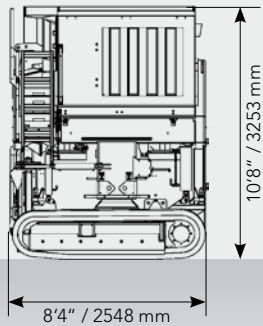
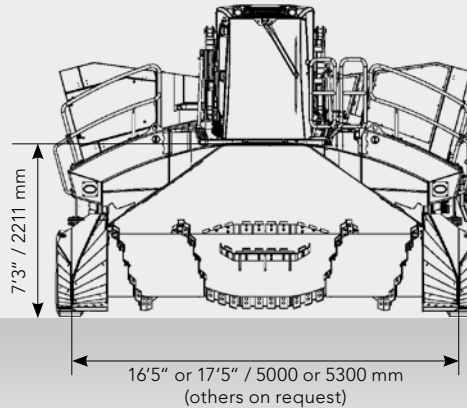


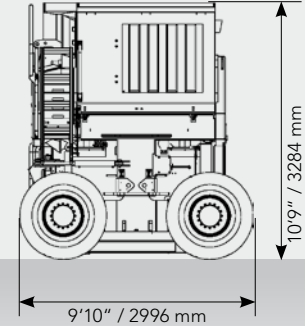
Topturn X55



Track transport dimensions



Working position



Wheel transport dimensions

	TOPTURN X55	TOPTURN 63	TOPTURN X67
Drive			
Diesel engine:	CAT @ C9.3 Tier 4f /EU Stage IV or CAT @ C9 Tier 3 /EU Stage IIIa	CAT @ C13 Tier 4 Final/Stage IV or Tier 3/Stage IIIA	CAT @ C13 Tier 4 Final/Stage IV or Tier 3/Stage IIIA
Power (kW / HP):	242 / 330	287 / 390	328 / 446
Turning device			
Drum diameter:	3'11" / 1200 mm	4'7" / 1400 mm	5'9" / 1750 mm
Drum rpm:	0-195	0-195	0-160
Windrow dimensions			
Max. windrow width:	16'5" or 17'5" 5000 or 5300 mm (others on request)	18'8" or 19'8" 5700 or 6000 (others on request)	21'0" 6400 mm
Max. windrow height:	8'2" / 2500 mm	9'2" / 2800 mm	10'2" / 3100 mm
Max. windrow cross-section:	up to 85 ft ² / 7.8 m ²	up to 100 ft ² / up to 9 m ²	up to 113 ft ² / up to 10 m ²
Travelling speeds (I standard, II optional)			
Wheel (mph):	I: 0-2.5 II: 0-3.7 / I: 0-4 II: 0-6 km/h	I: 0-2.5 II: 0-3.7 / I: 0-4 II: 0-6 km/h	I: 0-2.5 II: 0-5.0 / I: 0-4 II: 0-8 km/h
Track (mph):	I: 0-2.5 / I: 0-4 km/h	I: 0-2.5 / I: 0-4 km/h	I: 0-2.5 / I: 0-4 km/h
Dimensions L x W x H			
Transport dimensions Wheel:	17'11" x 9'10" x 10'9" 5457 x 2996 x 3253 mm	20'2" x 9'10" x 11'11" 6155 x 2996 x 3635 mm	22'2" x 9'10" x 11'8" 6750 x 3000 x 3450 mm
Transport dimensions Track:	17'11" x 8'4" x 10'8" 5457 x 2548 x 3253 mm	20'2" x 8'4" x 11'10" 6155 x 2548 x 3607 mm	22'2" x 9'10" x 11'8" 6580 x 3000 x 3560 mm
Working dimensions Wheel:	14'1" x 17'7" x 14'10" 4300 x 5350 x 4525 mm	14'1" x 20'0" x 15'10" 4303 x 6091 x 4815 mm	16'4" x 22'2" x 17'7" 4970 x 6750 x 5450 mm
Working dimensions Track:	13'1" x 17'7" x 14'4" 3980 x 5350 x 4380 mm	13'0" x 19'8" x 15'8" 3973 x 6003 x 4780 mm	15'6" x 22'2" x 17'7" 4720 x 6750 x 5350 mm
Weight			
Wheel:	~ 17.6 t.sh / ~ 16 t	~ 19.8 t.sh / ~ 18 t	~ 23.0 t.sh / ~ 21.0 t
Track:	~ 18.2 t.sh / ~ 16.5 t	~ 20.6 t.sh / ~ 18.7 t	~ 23.5 t.sh / ~ 22.0 t
Throughput (dependent on material)			
Throughput performance:	up to 5200 yrd ³ /h / up to 4000 m ³ /h	up to 5800 yrd ³ /h / up to 4500 m ³ /h	up to 6540 yrd ³ /h / up to 4500 m ³ /h
Options			
Mixing drum, two speed levels, lateral displacement device, central lubrication, scraper, protective ventilation, watering etc.			



Komptech Americas LLC
 [P] (720) 890-9090
 [F] (720) 890-5907