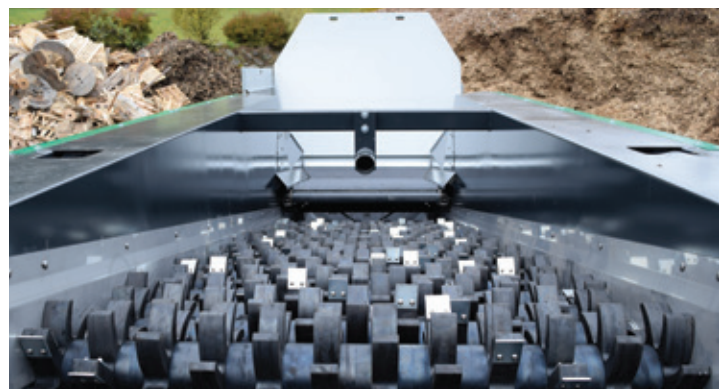


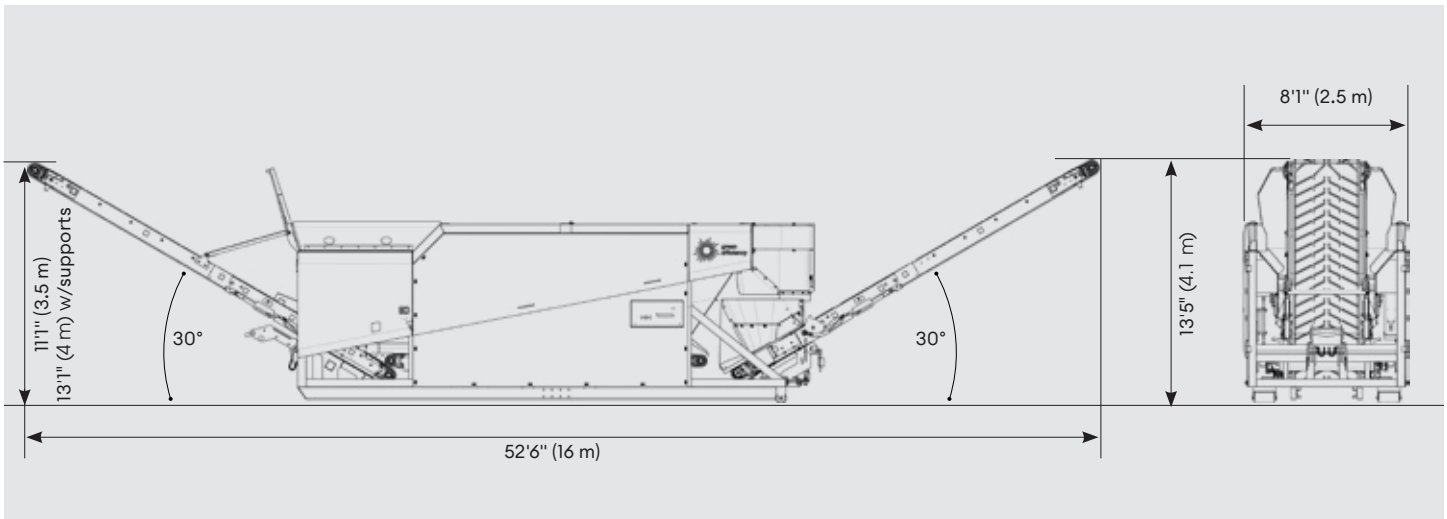
# MULTISTAR One

## Star Screen



The Komptech Multistar One is an energy-efficient, electric star screen that delivers economical material screening with a small, semi-mobile footprint. Built for small to medium-volume mulch and compost producers, the Multistar One offers a screening throughput capacity of up to 262 yd<sup>3</sup>/hr.

- ▶ Feed the 3.3 yd<sup>3</sup> hopper directly from a shredder for consistent material delivered to the screen deck
- ▶ CLEANSTAR technology for self-cleaning and longer star life
- ▶ Return conveyor swivels up to 220° returning material to any Komptech shredder efficiently



## MULTISTAR One Technical Specifications

### Power

Power Source/Consumption: Hybrid Drive / up to 25 kW (electric input)

### Proportion (dependent on equipment)

Transport Dimensions: 26'6" x 8'1" x 8'5" (8.2 x 2.5 x 2.6 m)

Working Dimensions: 52'6" x 8'1" x 13'5" (16 x 2.5 x 4.1 m)

Weight: -18,400 lbs

### Performance (dependent on material)

Maximum Throughput: -262 yd<sup>3</sup>/hr (-200 m<sup>3</sup>/hr)

Komptech Americas, LLC  
6345 Downing Street, Denver, CO 80216

[t] +1 720.890.9090  
[e] info@komptechamericas.com

We reserve the right to make technical changes due to ongoing development. USA2022-12

Scan this code to learn more about the  
MULTISTAR One and watch it in action!

