

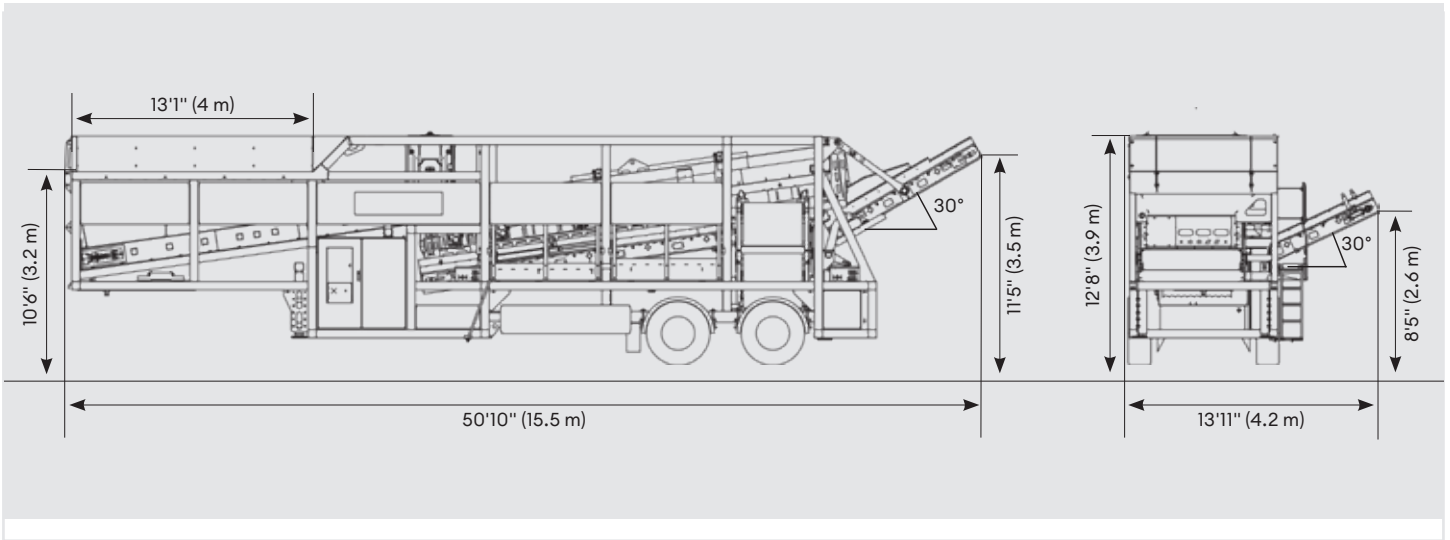
MULTISTAR XXL-2

Star Screen



The Komptech Multistar XXL-2 is a pure 2-fraction star screen built for high-volume commercial mulch, soil and compost production. The XXL-2 enables mulch producers to skip double grinding their materials in high-speed grinders by efficiently screening up to 80% of finished mulch product in a single pass.

- ▶ Gain flexibility and efficiency with the quick-change screen deck
- ▶ CLEANSTAR technology for self-cleaning and longer star life
- ▶ Easily change the output product size in seconds from 1/2" to 3" minus



MULTISTAR XXL-2 Technical Specifications

Power

Diesel Generator / Horsepower: Perkins Gen Set Tier 4 Final / 64 HP

Proportion (dependent on equipment)

Transport Dimensions: 44'11" x 8'5" x 12'10" (13.7 x 2.5 x 3.9 m)

Working Dimensions: 50'10" x 12'8" x 13'11" (15.5 x 3.9 x 4.2 m)

Weight: ~44,000 lbs

Performance (dependent on material)

Maximum Throughput: ~650 yd³/hr (-500 m³/hr)

Komptech Americas, LLC
6345 Downing Street, Denver, CO 80216

[t] +1 720.890.9090
[e] info@komptechamericas.com

We reserve the right to make technical changes due to ongoing development. USA2022-12

Scan this code to learn more about the
MULTISTAR XXL-2 and watch it in action!

