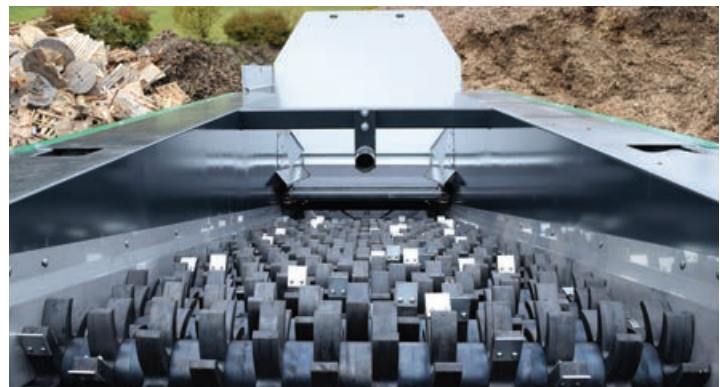


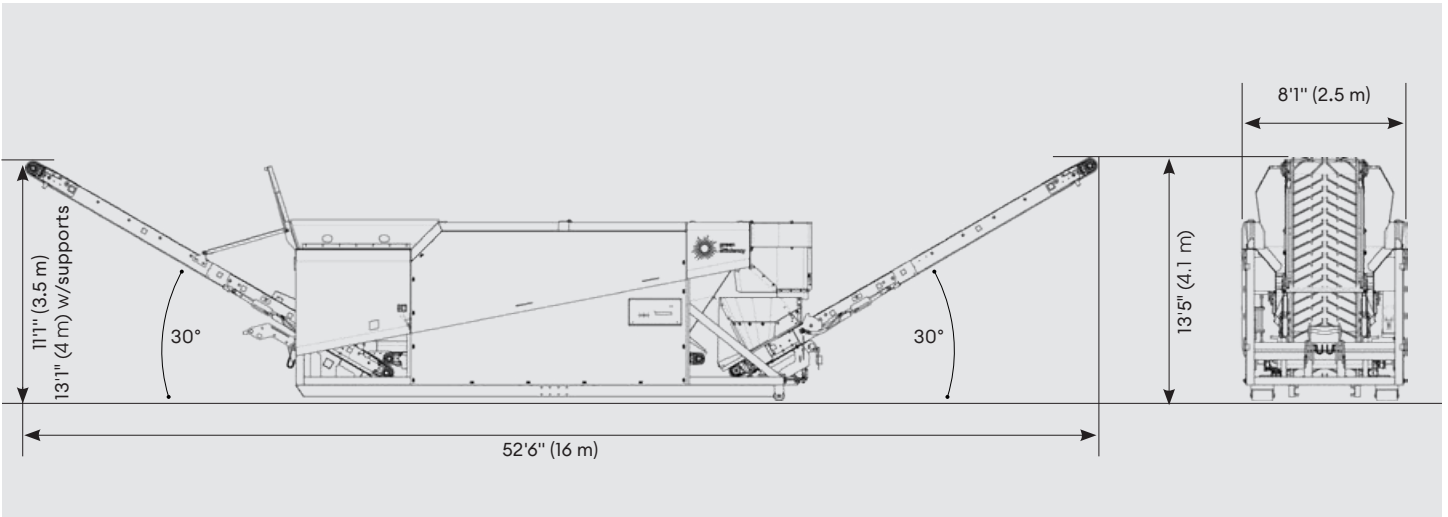
MULTISTAR One

Star Screen



The Komptech Multistar One is an energy-efficient, electric star screen machine that delivers economical material screening with a small, semi-mobile footprint. Built for small to medium-volume mulch and compost producers, the Multistar One offers a screening throughput capacity of up to 262 yd³/hr.

- ▶ Feed the 3.3 yd³ hopper directly from a shredder for consistent material delivered to the screen deck
- ▶ CLEANSTAR technology for self-cleaning and longer star life
- ▶ Return conveyor swivels up to 220° returning material to any Komptech shredder efficiently



MULTISTAR One Technical Specifications

Power

Power Source/Consumption: Hybrid Drive / up to 25 kW (electric input)

Proportion (dependent on equipment)

Transport Dimensions: 26'6" x 8'1" x 8'5" (8.2 x 2.5 x 2.6 m)

Working Dimensions: 52'6" x 8'1" x 13'5" (16 x 2.5 x 4.1 m)

Weight: -18,400 lbs

Performance (dependent on material)

Maximum Throughput: -262 yd³/hr (-200 m³/hr)

Komptech Americas, LLC
 6345 Downing Street, Denver, CO 80216

[t] +1 720.890.9090
 [e] info@komptechamericas.com

We reserve the right to make technical changes due to ongoing development. USA2022-07

Scan this code to learn more about the
 MULTISTAR One and watch it in action!



Product Overview