

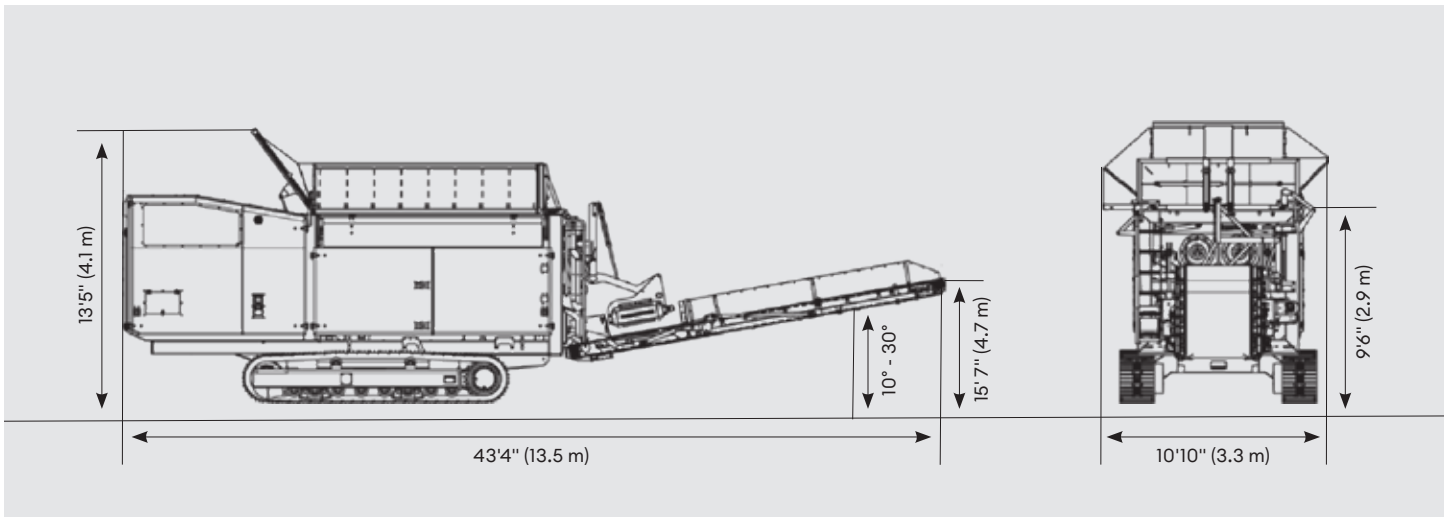
CRAMBO

Low-Speed, Dual-Shaft Waste Shredder



The Komptech Crambo is a low-speed, high-torque dual-shaft industrial waste shredder engineered to deliver high-throughput shredding of the most challenging wood, organic and green waste materials. The Crambo's long, counter-rotating shredding drums and 134 teeth deliver an aggressive feed while minimizing fines.

- ▶ Variable particle size through simple screen basket changes
- ▶ Designed to withstand heavy contamination
- ▶ Low maintenance, fuel consumption and operating costs



CRAMBO Technical Specifications

Machine Model	3400	6000
Power		
Diesel Engine / Horsepower:	CAT® C9 Tier 4 Final / 330 HP	CAT® C18 Tier 4 Final / 600 HP
Proportion (dependent on equipment)		
Transport Dimensions:	22'9" x 9'4" x 11'0" (6.9 x 2.9 x 3.4 m)	
Working Dimensions:	43'4" x 10'10" x 13'5" (13.2 x 3.3 x 4.0 m)	
Weight:	~56,000 lbs	~58,000 lbs
Performance (dependent on material)		
Maximum Throughput:	up to 50 tons/hr	up to 110 tons/hr
Options		

Engine emissions level Tier 3a and 4f/EU stage III and IV, drum armored, hook-shaped teeth, planing teeth, bio cutting unit, screen baskets 80/100/125/150/180/250/300, radio remote control, central lubrication, transferring magnet with swinging arm, magnetic pulley etc.

Komptech Americas, LLC
6345 Downing Street, Denver, CO 80216

[t] +1 720.890.9090
[e] info@komptechamericas.com

We reserve the right to make technical changes due to ongoing development. USA2022-12

Scan this code to learn more about the CRAMBO and watch it in action!

