

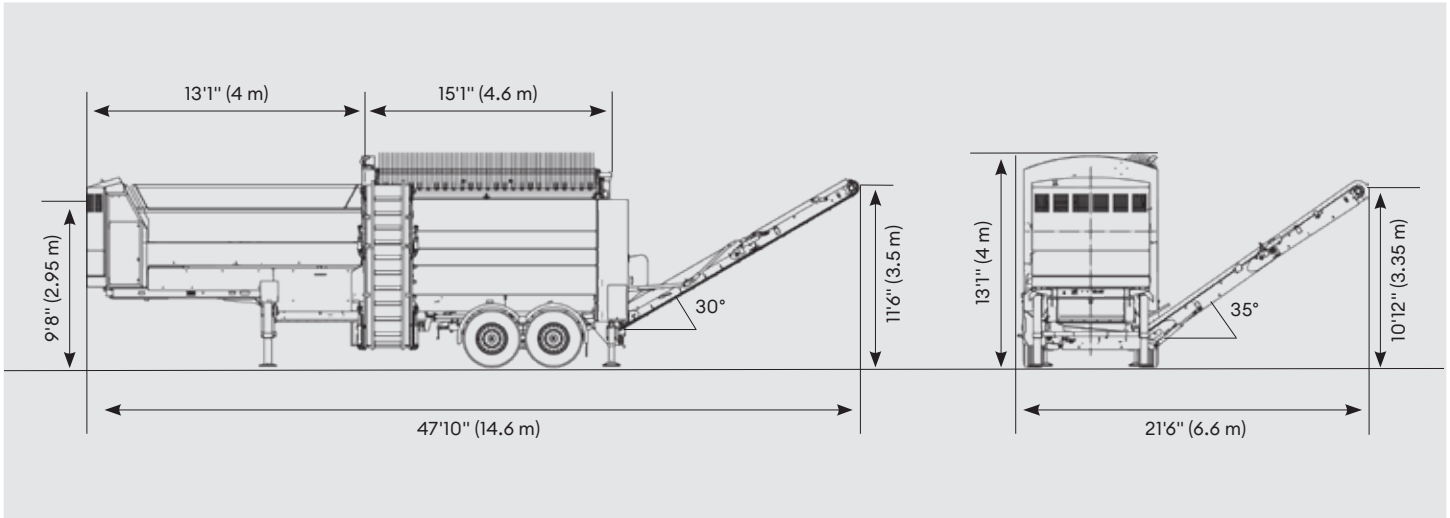
CRIBUS 2800

Mobile Trommel Screen



The Komptech Cribus 2800 is a mobile trommel screen with the largest screening surface (30 ft²) for its overall length. Its large 7'2" diameter drum delivers a consistent, efficient screening throughput capacity of up to 222 yd³/hr, depending on the material.

- ▶ Compact length enables second drum to be transported in the same load
- ▶ Drum changes can be completed in minutes and without extra tools
- ▶ Friction wheel drive with patented WHEELGRIP anti-slip technology



CRIBUS 2800 Technical Specifications

Power

Diesel Generator / Horsepower: JCB / 74 HP

Proportion (dependent on equipment)

Transport Dimensions:	33'5" x 8'4" x 13'1" (10.2 x 2.5 x 4 m)
Working Dimensions:	47'10" x 21'6" x 13'1" (14.6 x 6.6 x 4 m)
Hopper Volume:	>6.5 yd ³ (>5 m ³ /hr)
Drum Diameter:	7'2" (2.2 m)
Effective Screening Area:	301 ft ² (28 m ²)

Performance (dependent on material)

Maximum Throughput: up to 222 yd³/hr (170 m³/hr)

Komptech Americas, LLC
6345 Downing Street, Denver, CO 80216

[t] +1 720.890.9090
[e] info@komptechamericas.com

We reserve the right to make technical changes due to ongoing development. USA2022-12

Scan this code to learn more about the CRIBUS 2800 and watch it in action!

