

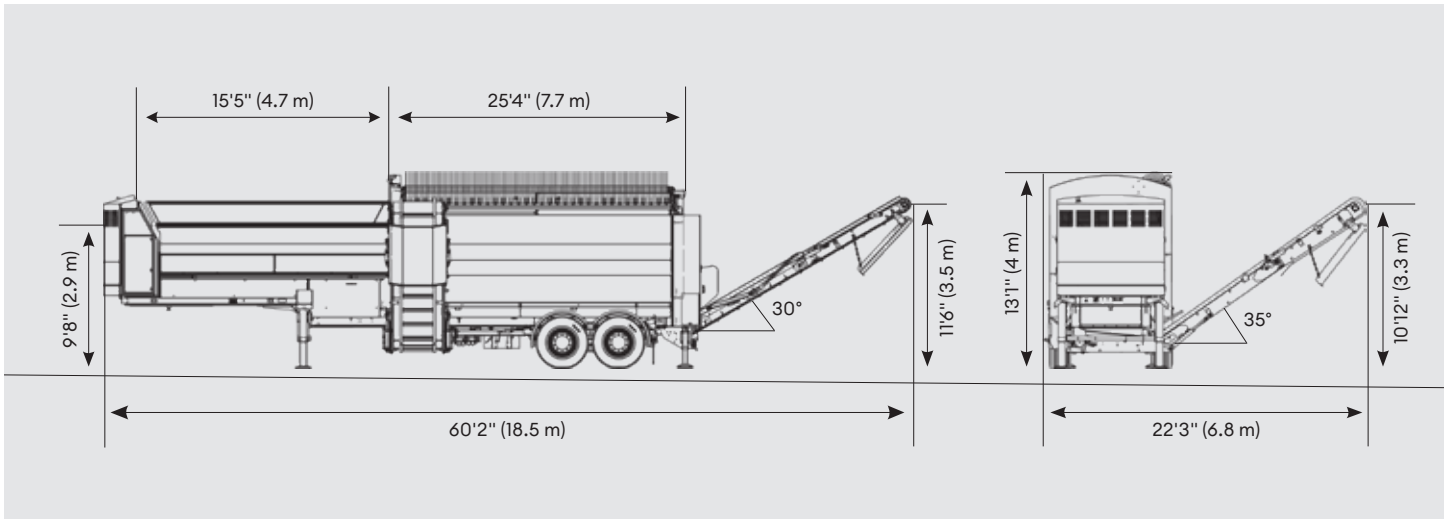
# CRIBUS 5000

## Mobile Trommel Screen



The Komptech Cribus 5000 is one of the largest mobile trommel screens on the market. With full electronic control, automatic start-up and a large, 7.8 yd<sup>3</sup>, load-dependent hopper, operation is easy and safe. Maintenance is made easy with simple drum and conveyor belt replacement.

- ▶ Screen drum overloading is prevented by load-dependent hopper control
- ▶ Drum changes can be completed in minutes and without extra tools
- ▶ Fully electronic control and configurable operating panel



## CRIBUS 5000 Technical Specifications

### Power

Diesel Generator / Horsepower: JCB / 74 HP

### Proportion (dependent on equipment)

Transport Dimensions: 46'1" x 8'4" x 13'1" (14 x 2.5 x 4 m)

Working Dimensions: 60'2" x 22'3" x 13'1" (18.5 x 6.8 x 4 m)

Hopper Volume: >7.8 yd<sup>3</sup> (>7 m<sup>3</sup>/hr)

Drum Diameter: 7'2" (2.2 m)

Effective Screening Area: 528 ft<sup>2</sup> (50 m<sup>2</sup>)

### Performance (dependent on material)

Maximum Throughput: up to 353 yd<sup>3</sup>/hr (272 m<sup>3</sup>/hr)

Komptech Americas, LLC  
6345 Downing Street, Denver, CO 80216

[t] +1 720.890.9090  
[e] info@komptechamericas.com

We reserve the right to make technical changes due to ongoing development. USA2022-12

Scan this code to learn more about the CRIBUS 5000 and watch it in action!

