

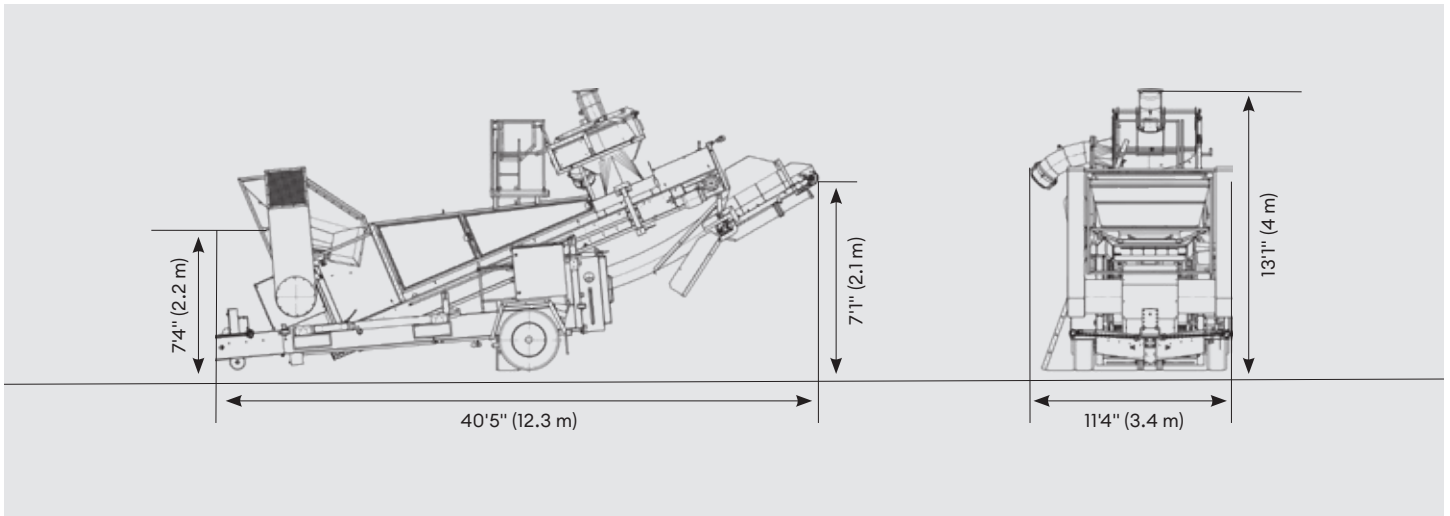
HURRIKAN S

Windsifter Separator



The Hurrikan S is a mobile, high-throughput windsifting contaminant separator that efficiently removes lightweight fraction films, plastics, rocks and Fe-metals from screened compost overflow. Using a patented “pressure-suction” process, material is first separated by a targeted air knife, then lightweight material is drawn out by a powerful suction blower.

- ▶ High-throughput separation with up to 95% contaminant removal
- ▶ Compatible with most commercial mobile screening units
- ▶ Optional magnetic drum and stone separator for improved output quality



HURRIKAN S Technical Specifications

Power

Diesel Generator / Horsepower: JCB Gen Set Tier 4 Final / 80 HP

Proportion (dependent on equipment)

Transport Dimensions: 38'8" x 8'8" x 13'1" (11.8 x 2.6 x 4 m)

Working Dimensions: 40'5" x 11'4" x 13'1" (12.3 x 3.4 x 4 m)

Weight: 22,000 lbs

Performance (dependent on material)

Maximum Throughput: up to 100 yd³/hr (76 m³/hr)

Options

Diesel generator, magnet drum, roller separator, frequency-converter for suction blower, special suction channels, enclosure for vibrating feeder and more

Komptech Americas, LLC
6345 Downing Street, Denver, CO 80216

[t] +1 720.890.9090
[e] info@komptechamericas.com

We reserve the right to make technical changes due to ongoing development. USA2022-12

Scan this code to learn more about the HURRIKAN S and watch it in action!

