

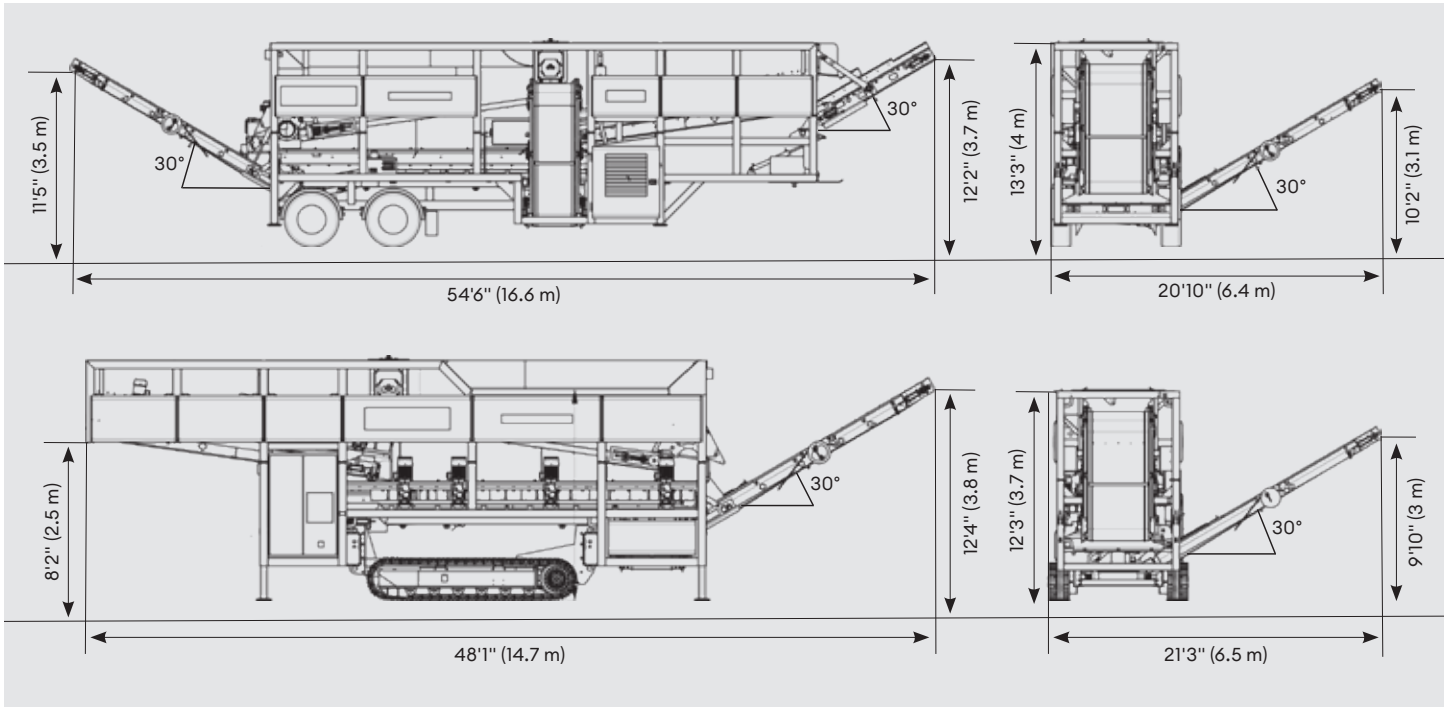
MULTISTAR XL3

Star Screen



The Komptech Multistar XL3 is a 3- or 2-fraction mobile screener built for medium and large volume commercial mulch, soil and compost producers. Grind directly into the XL3's large hopper without blockage, enabling up to 400 yd³/hr of throughput producing a finished "double" or "triple" grind product.

- ▶ Adjust particle size with speed control of the star shafts at the screen deck
- ▶ CLEANSTAR technology for self-cleaning and longer star life
- ▶ Choose the chassis design, either track or wheel, to fit your terrain demands



MULTISTAR XL3 Technical Specifications

Power

Diesel Generator / Horsepower:

Perkins Gen Set Tier 4 Final / 85 HP

Proportion (dependent on equipment)

Transport Dimensions:

Trailer - 39'1" x 8'2" x 13'1" (11.9 x 2.5 x 4 m)

Track - 37'4" x 9'4" x 12'1" (11.3 x 2.8 x 3.6 m)

Working Dimensions:

Trailer - 54'6" x 20'10" x 13'3" (16.6 x 6.4 x 4 m)

Track - 48'1" x 21'3" x 12'3" (14.7 x 6.5 x 3.7 m)

Weight:

-44,000 lbs (Trailer) / -52,000 (Track)

Performance (dependent on material)

Maximum Throughput:

-400 yd³/hr (-300 m³/hr)

Komptech Americas, LLC
6345 Downing Street, Denver, CO 80216

[t] +1 720.890.9090

[e] info@komptechamericas.com

We reserve the right to make technical changes due to ongoing development. USA2022-12

Scan this code to learn more about the
MULTISTAR XL3 and watch it in action!

