

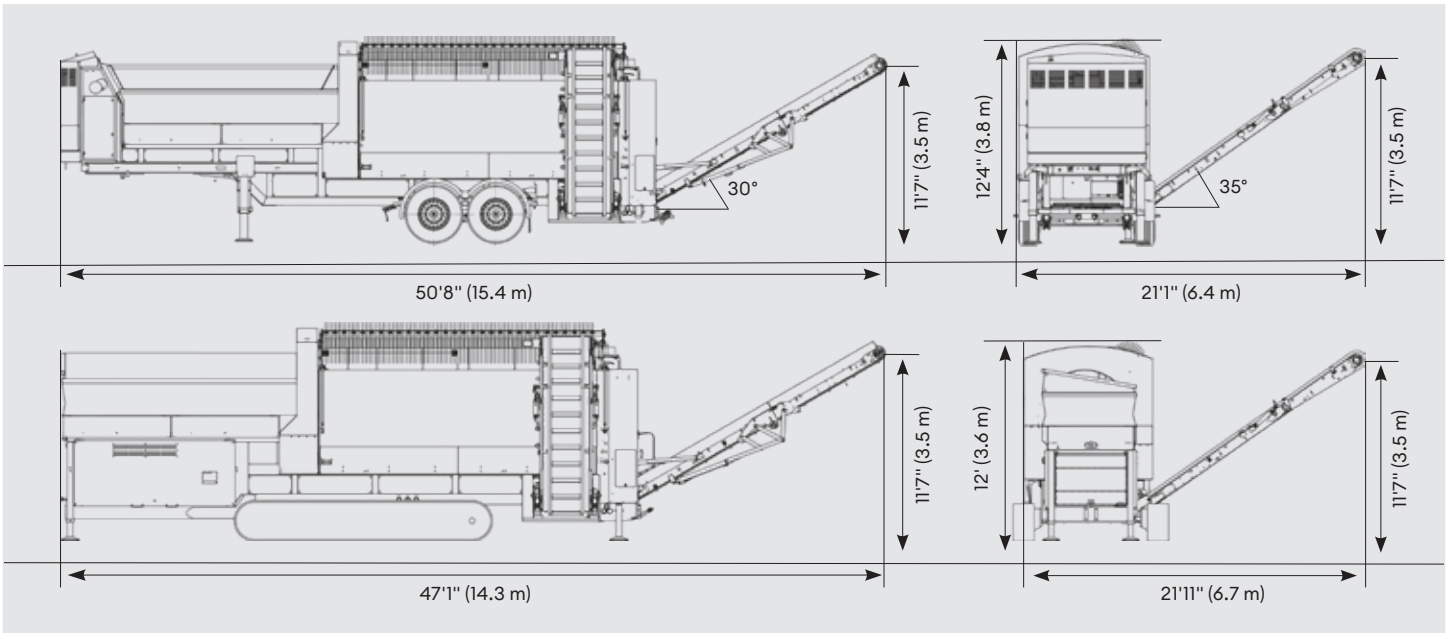
NEMUS 2700

Trommel Screen



The Komptech Nemus 2700 is a diesel-hydraulic, mobile trommel screen that efficiently screens most material from heavy soil to mulch to compost. The Nemus 2700, available in track or wheeled chassis, features a large, 6.5 yd³ steep-walled hopper and throughput capacity of up to 230 yd³/hr.

- ▶ Punch plate and spiral drum design delivers increased screening area with a smaller footprint
- ▶ Friction wheel drive with patented DRUMGRIP anti-slip technology
- ▶ Drum changes can be completed in minutes and without extra tools



NEMUS 2700 Technical Specifications

Power

Diesel Engine / Horsepower:

Perkins Tier 4 Final / 99 HP

Proportion (dependent on equipment)

Transport Dimensions:

Trailer - 37'11" x 8'4" x 13'1" (11.6 x 2.5 x 4 m)
Track - 34'5" x 9'10" x 12'9" (10.5 x 3 x 3.9 m)

Working Dimensions:

Trailer - 50'8" x 21'1" x 12'4" (15.4 x 6.4 x 3.8 m)
Track - 47'1" x 21'11" x 12' (14.3 x 6.7 x 3.6 m)

Hopper Volume:

>6.5 yd³ (>5 m³/hr)

Screen Drum Diameter:

6'7" (2 m)

Effective Screening Area:

323 ft² (30 m²)

Weight:

-44,000 lbs (Trailer) / -52,000 (Track)

Performance (dependent on material)

Maximum Throughput:

up to 230 yd³/hr (175 m³/hr)

Komptech Americas, LLC
6345 Downing Street, Denver, CO 80216

[t] +1 720.890.9090
[e] info@komptechamericas.com

We reserve the right to make technical changes due to ongoing development. USA2022-12

Scan this code to learn more about the
NEMUS 2700 and watch it in action!

