

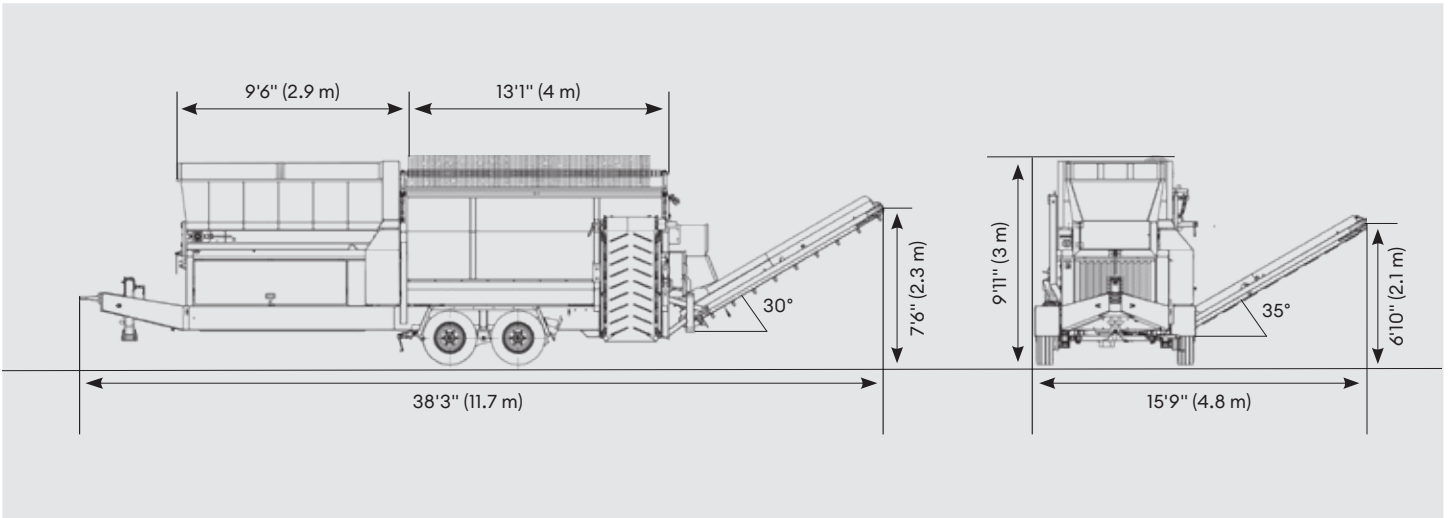
PRIMUS

Trommel Screen



The Komptech Primus is a mobile trommel screen machine built for small to medium-sized compost operations. The Primus features a large, 4 yd³ steep side-walled hopper to help prevent material bridging and a throughput capacity of up to 90 yd³/hr. The easily accessible and simple-to-change screen drum system features 175 ft² of effective screening area.

- ▶ The side door opens, enabling quick and easy cleaning and drum-changing access
- ▶ Freely revolving circular brush cleans the screen drum
- ▶ Optional grizzly or wind sifter for light film plastic removal requirements



PRIMUS Technical Specifications

Power

Diesel Engine / Horsepower: Perkins Gen Set Tier 4 Final / 70 HP

Proportion (dependent on equipment)

Transport Dimensions: 30'11" x 8'8" x 12'9" (9.4 x 2.6 x 3.9 m)

Working Dimensions: 38'3" x 15'9" x 9'11" (11.7 x 4.8 x 3 m)

Hopper Volume: >4.0 yd³ (>3 m³/hr)

Screen Drum Diameter: 4'9" (1.4 m)

Effective Screening Area: 175 ft²

Weight: ~18,000 lbs

Performance (dependent on material)

Maximum Throughput: up to 90 yd³/hr (70 m³/hr)

Komptech Americas, LLC
6345 Downing Street, Denver, CO 80216

[t] +1 720.890.9090
[e] info@komptechamericas.com

We reserve the right to make technical changes due to ongoing development. USA2022-12

Scan this code to learn more about the PRIMUS and watch it in action!



Product Overview