

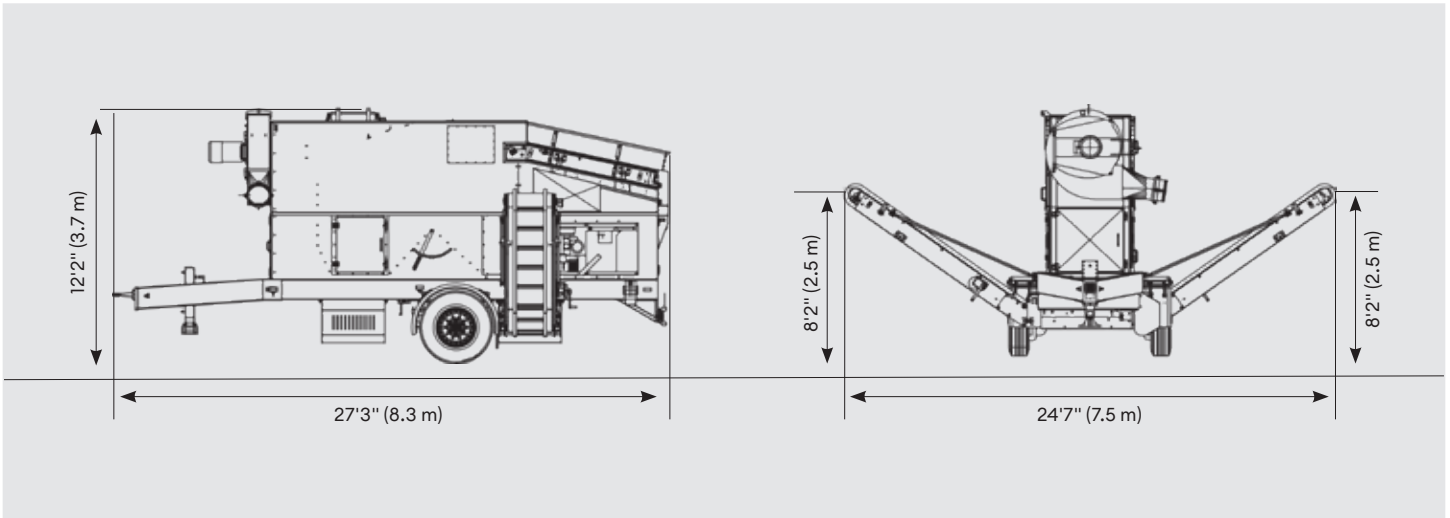
STONEFEX

Stone Separator



The Stonefex is a mobile separator that removes rocks and heavy inert items from materials at a throughput rate of up to 130 yd³/hr using a patented pressure and suction blower system. The output that was previously difficult to use due to high concentration of stones can now be easily processed into fuel.

- ▶ Dependable removal of up to 95% of rocks
- ▶ Separate efficiently without the use of water
- ▶ Wide range of applications such as C&D, green waste, mulch and compost



STONEFEX Technical Specifications

Power

Diesel Generator / Horsepower: JCB Gen Set Tier 4 Final / 55 HP

Proportion (dependent on equipment)

Transport Dimensions: 27'3" x 8'4" x 13'1" (8.5 x 2.6 x 4 m)

Working Dimensions: 27'3" x 24'7" x 12'2" (8.3 x 7.5 x 3.7 m)

Weight: 22,000 lbs

Performance (dependent on material)

Maximum Throughput: up to 130 yd³/hr (100 m³/hr)

Options

Diesel generator, conveyor extensions, adjustable conveyor speed, electro-hydraulically folding discharge conveyors, central lubrication, frequency converter for suction blower, remote control and more

Komptech Americas, LLC
6345 Downing Street, Denver, CO 80216

[t] +1 720.890.9090
[e] info@komptechamericas.com

We reserve the right to make technical changes due to ongoing development. USA2022-12

Scan this code to learn more about the STONEFEX and watch it in action!

